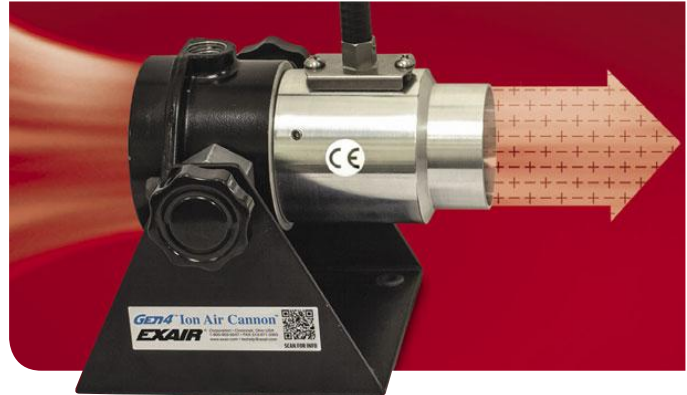


GEN4® Ion Air Cannon™

Quiet, efficient, concentrated flow of ionized air removes static and dust!



What Is The GEN4 Ion Air Cannon?

EXAIR's Gen4 Ion Air Cannon neutralizes static electricity and cleans at distances up to 15 feet (4.6m) with no moving parts. It is ideal for those hard to reach spaces or confined areas that require a concentrated flow of static eliminating ions. With an optional pressure regulator, the air volume and velocity are infinitely adjustable over a wide range, for light to heavy duty applications.

Why The GEN4 Ion Air Cannon?

The Gen4 Ion Air Cannon will **maximize ionized airflow while minimizing compressed air consumption**. A small amount of compressed air is used to entrain a high volume flow of surrounding air. This combined stream is ionized by an emitter point (shockless) and delivered to the charged surface. A hose or tube can be connected to the air intake of the Gen4 Ion Air Cannon to draw quality air from another area. It requires only 10 PSIG (0.7 BAR) for most applications.

The compact design saves bench space and allows mounting in confined areas. The sturdy stand is pre-drilled and can be wall, bench or machine mounted. It incorporates a swivel adjustment for directing the airflow.

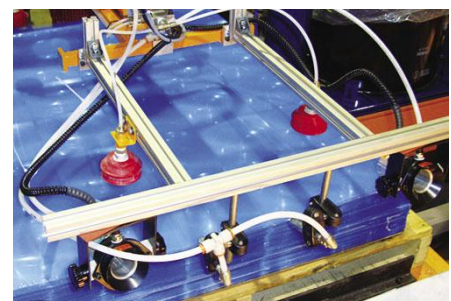
EXAIR's EFC (*shown on page 7*) is an electronic flow control for compressed air. For production lines, it can sense when no part is present and will automatically turn off the compressed air to the Gen4 Ion Air Cannon until the next part moves into position.



The Model 8292 Gen4 Ion Air Cannon System eliminates the static and dust prior to filling the bottles.



(3) Gen4 Ion Air Cannons blow contaminants from car bodies prior to painting.



Model 8192 Gen4 Ion Air Cannons provide static elimination in between solar panel lenses to assist separation of the lenses during production.

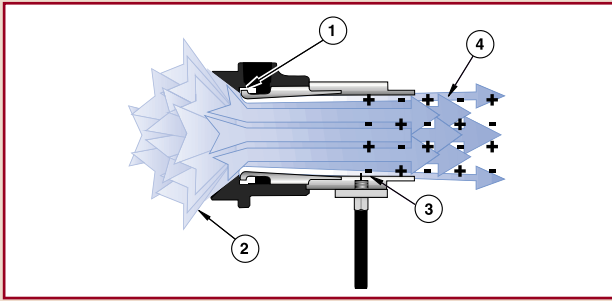
Applications

- Bag opening - form and fill
- Clean and neutralize parts
- Neutralizing shrink wrap
- Cleaning molded parts
- Removing static on assemblies
- Pre-paint dust removal
- Neutralizing slitting operations
- Package cleaning
- Container neutralization

Advantages

- Electromagnetically shielded high voltage cable
- Armored high voltage cable protects against abrasion, cuts
- Integrated ground design requires no separate ground connection
- Replaceable emitter point
- Low air consumption
- Rapid static decay
- Quiet
- Shockless, non-radioactive
- Compact, rugged, easy to install
- Intake can be ducted
- No moving parts - low maintenance
- Variable force and flow

How The GET4 Ion Air Cannon Works



The Gen4 Ion Air Cannon incorporates a Super Air Amplifier* and ionizing collar, energized by a power supply. A small amount of compressed air is injected into the barrel of the cannon (1) inducing a high volume flow of surrounding air to flow through it (2). A replaceable emitter point at the discharge end of the cannon (3) ionizes the entire airstream. The result is a high volume, conical flow of ionized air (4) capable of eliminating static and cleaning at distances up to 15 feet (4.6m). Because more than 90% of the ionized air is induced, the Gen4 Ion Air Cannon produces maximum airflow at minimum air consumption.

*Patent #5402938

GET4 Ion Air Cannon Specifications

EXAIR Model 7960 or 7961 Gen4 Power Supply (5kV) is required for Ion Air Cannon operation.

See page 129 for details.

Certifications: The Gen4 Ion Air Cannon and Gen4 Power Supply are UL Component Recognized to U.S. and Canadian safety standards, and are CE and RoHS compliant.



Electrical: For use with 5 kVrms, 5 milliamperes (max.) power supply.

Electrical Hazard: Shockless (less than 40 microamperes short circuited).

Do not use near flammable materials or gases.

Materials of Construction:

Metal Parts: Aluminum

Plastic Parts: UL rated 94 HB **Emitter:** Stainless Steel

Maximum Ambient Temperature: 165°F (74°C)

Shims: Thicker shims can be installed easily if additional hard-hitting velocity is required. See page 47.

Compressed Air: 3/8 NPT inlet provided.



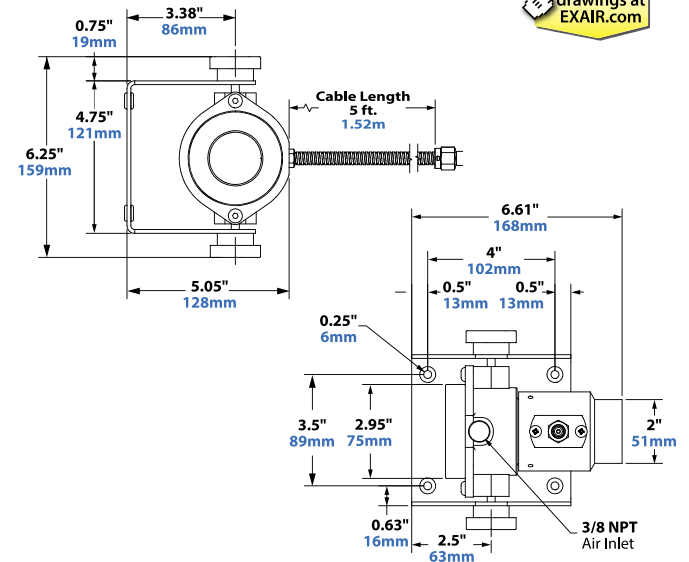
Model 8492 Gen4 Ion Air Cannon Kit includes the Gen4 Ion Air Cannon, shim set, Model 7960 Gen4 Power Supply, filter separator and pressure regulator (with coupler).

GET4 Ion Air Cannon Performance

| Pressure Supply | | Air Consumption | | Sound Level | Dissipates 5kV* |
|-----------------|-----|-----------------|------|-------------|-----------------|
| PSIG | BAR | SCFM | SLPM | dBA | SECONDS |
| 20 | 1.4 | 5.7 | 161 | 58 | 0.75 |
| 40 | 2.8 | 9 | 255 | 64 | 0.6 |
| 60 | 4.1 | 12.2 | 345 | 70 | 0.5 |
| 80 | 5.5 | 15.5 | 439 | 72 | 0.43 |
| 100 | 6.9 | 18.7 | 529 | 74 | 0.37 |

* 12" (305mm) from target. For airflow pattern, see Super Air Amplifier on page 47.

GET4 Ion Air Cannon Dimensions



GET4 Ion Air Cannon

Model # Description

| | |
|-------------|---|
| 8192 | Gen4 Ion Air Cannon includes Super Air Amplifier, Emitter, Stand, and 5' (1.52m) length of armored and electromagnetically shielded cable |
| 8292 | Gen4 Ion Air Cannon and Gen4 Power Supply |
| 8492 | Gen4 Ion Air Cannon Kit (see image above) |

GET4 Deluxe Ion Air Cannon Kits

Model # Description

| | |
|---------------|--|
| 8492DX | Kits include a Gen4 Ion Air Cannon, EFC, shim set, Model 7960 Gen4 Power Supply, filter separator and pressure regulator (with coupler). |
|---------------|--|

Accessories and Components

| Model # | Description |
|-------------|---|
| 7960 | 2 Outlet Selectable Voltage Gen4 Power Supply (115V, 230V, 50/60Hz) |
| 7961 | 4 Outlet Selectable Voltage Gen4 Power Supply (115V, 230V, 50/60Hz) |
| 9001 | Auto Drain Filter Separator, 3/8 NPT, 65 SCFM (1,841 SLPM) |
| 9008 | Pressure Regulator with Gauge, 1/4 NPT, 50 SCFM (1,415 SLPM) |
| 7905 | Static Meter |